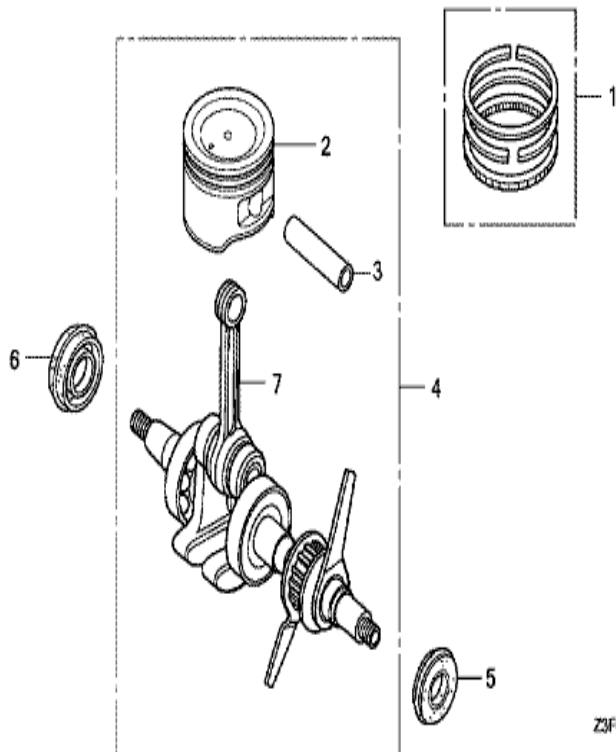


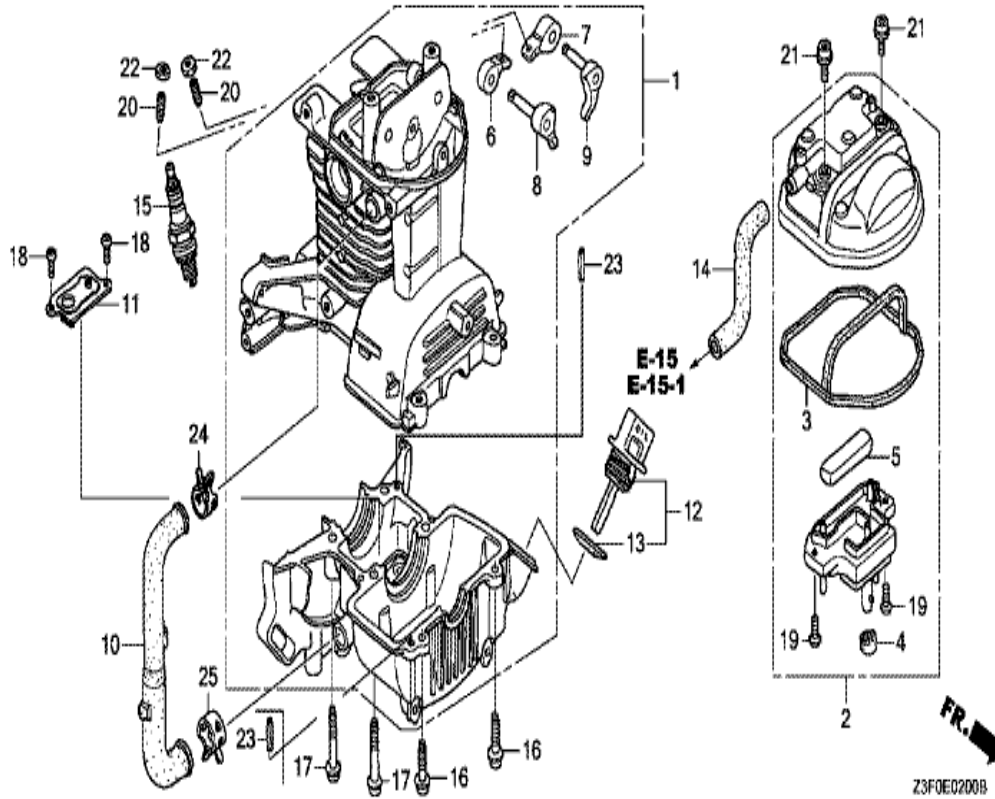
GX35T

E-7 CRANKSHAFT/PISTON



Refnr	Part Number	Description	from	to	Unit Qty.	Order Qty.	Repair Qty.
1	13010-Z3F-003	RING SET, PISTON (TPR)			001	0	0
1	13010-ZM5-000	RING SET, PISTON (RIKEN)			001	0	0
2	13101-Z3F-000	PISTON			001	0	0
3	13111-ZM5-000	PIN, PISTON			001	0	0
4	13310-Z3F-000	CRANKSHAFT COMP.			001	0	0
5	91212-Z3E-003	OIL SEAL, 10X20X5			001	0	0
6	91214-Z3F-003	OIL SEAL, 15X25X6			001	0	0
7	13310-Z3F-305	CRANKSHAFT COMP.			(1)	0	0

GX35T
E-2 CRANKCASE SET

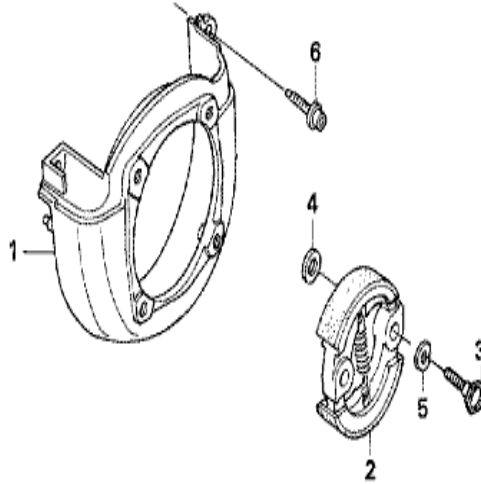


Refnr	Part Number	Description	from	to	Unit Qty	Order Qty	Repair Qty
1	10100-Z3F-405	CRANKCASE SET			001	0	0
2	12310-Z0Z-000	COVER COMP., CYLINDER HEAD		6761023	001	0	0
2	12310-Z0Z-010	COVER COMP., CYLINDER HEAD	6761024		001	0	0
3	12312-Z0Z-300	SEAL, HEAD COVER			001	0	0
4	12314-Z0H-300	GROMMET, HEAD COVER			001	0	0
5	12367-Z0H-000	FILTER, BREATHER			001	0	0
6	14431-Z0H-003	ARM, IN. VALVE ROCKER			001	0	0
7	14441-Z0H-003	ARM, EX. VALVE ROCKER			001	0	0
8	14730-Z0Z-000	LIFTER COMP., IN. VALVE			001	0	0
9	14740-Z0Z-000	LIFTER COMP., EX. VALVE			001	0	0
10	15422-Z0Z-000	TUBE, OIL			001	0	0
11	15510-Z3E-000	PLATE ASSY., OIL OUTLET VALVE			001	0	0
12	15600-Z3F-000	CAP ASSY., OIL FILLER			001	0	0
13	15625-Z0T-800	PACKING, OIL FILLER CAP			001	0	0
14	15721-Z0Z-000	TUBE, BREATHER			001	0	0
15	31914-Z0H-003	PLUG, SPARK (CMR4H) (NGK)			(1)	0	0
15	31915-Z0H-003	PLUG, SPARK (CMR5H) (NGK)			001	0	0
15	31916-Z0H-003	PLUG, SPARK (CMR6H) (NGK)			(1)	0	0
16	90009-Z3E-901	BOLT, SOCKET, 5X20			002	0	0
17	90010-Z0Z-003	BOLT, SOCKET, 5X32			004	0	0
18	90013-Z3E-003	SCREW, PAN, 4X8			002	0	0
19	90013-Z3F-003	SCREW, PAN, 4X8			002	0	0
20	90017-Z0H-000	SCREW, TAPPET ADJUSTING			002	0	0
21	90019-Z0H-003	BOLT, SOCKET, 5X12			002	0	0
22	90206-ZM3-000	NUT, TAPPET ADJUSTING			002	0	0
23	94305-40102	PIN, SPRING, 4X10			002	0	0
24	95002-41200-08	CLAMP, TUBE (D12)			001	0	0
25	95002-41300-04	CLAMP, TUBE (D13)			001	0	0

GX35T

E-12 FAN COVER/CLUTCH

FR.

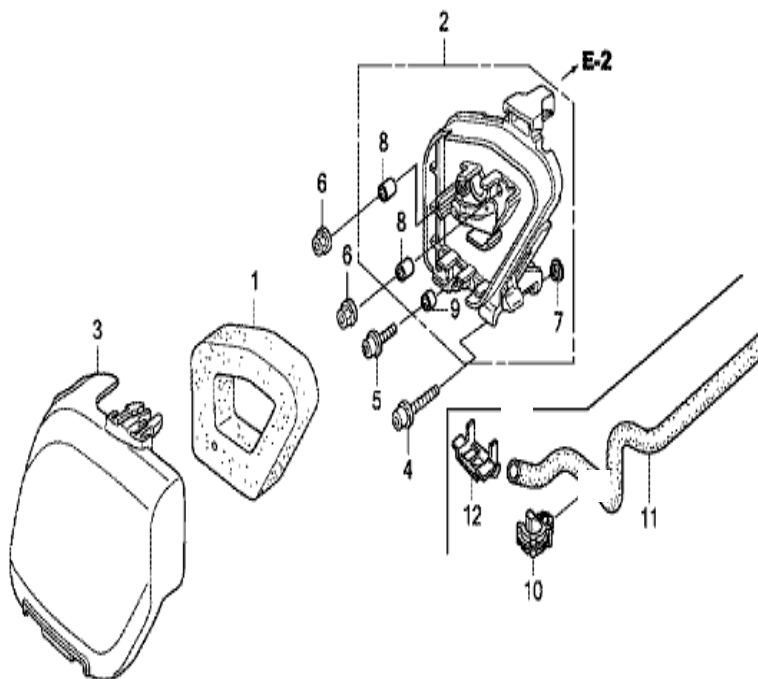


Z3F0-E1200

Refnr	Part Number	Description	from	to	Unit Qty.	Order Qty.	Repair Qty.
1	19611-Z0Z-000	COVER, FAN			001	0	0
2	22000-Z0Z-003	CLUTCH ASSY. (ACRO)			001	0	0
3	22253-Z3F-000	BOLT, CLUTCH (8MM)			002	0	0
4	22254-Z3F-000	WASHER, CLUTCH (8X17)			002	0	0
5	22255-Z3F-000	WASHER, WAVE (10MM)			002	0	0
6	90009-Z3E-901	BOLT, SOCKET, 5X20			003	0	0

GX35T

E-15 AIR CLEANER (1)

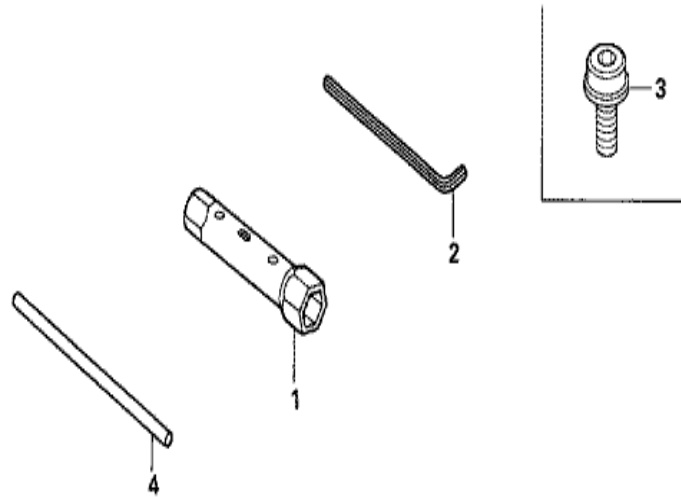


Z3FOE1500B

Refnr	Part Number	Description	from	to	Unit Qty.	Order Qty.	Repair Qty.
1	17211-Z0Z-000	ELEMENT, AIR CLEANER			001	0	0
2	17220-Z0Z-010	CASE COMP., AIR CLEANER			001	0	0
3	17231-Z0Z-010	COVER, AIR CLEANER			001	0	0
4	90009-Z3F-901	BOLT, SOCKET, 5X25			001	0	0
5	90018-Z3E-901	BOLT, SOCKET, 5X16			001	0	0
6	94050-05000	NUT, FLANGE, 5MM			002	0	0
7	91501-Z0Z-000	COLLAR, AIR CLEANER CASE			001	0	0
8	91503-ZM3-000	COLLAR, AIR CLEANER			002	0	0
9	91506-ZM3-000	COLLAR A, HEAD COVER			001	0	0

GX35T

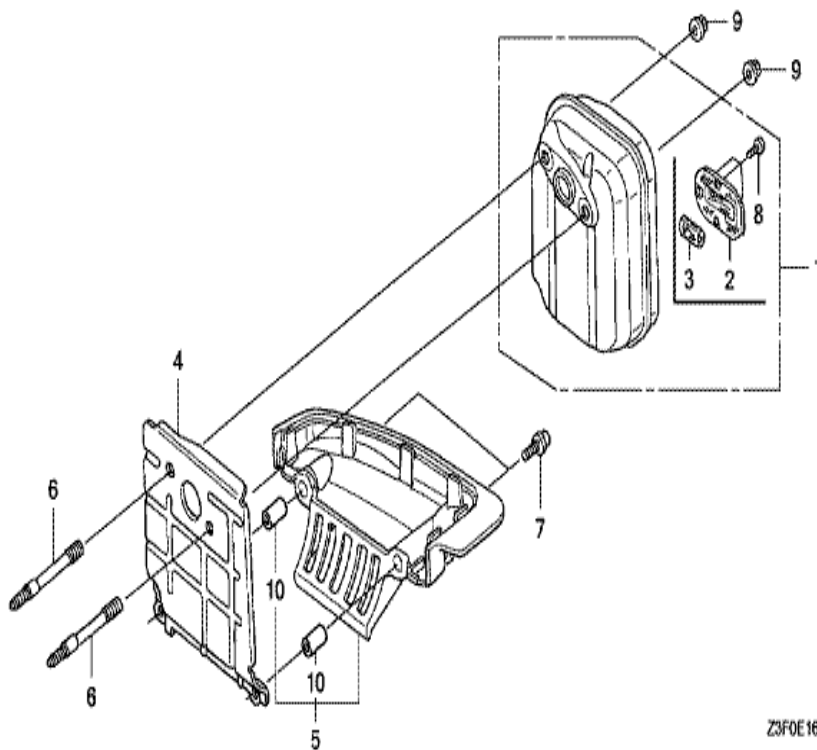
E-29 TOOL



Z3F0-E2900

<u>Refnr</u>	<u>Part Number</u>	<u>Description</u>	<u>from</u>	<u>to</u>	<u>Unit Qty.</u>	<u>Order Qty.</u>	<u>Repair Qty.</u>
1	89216-VJ3-J10	WRENCH, PLUG (16X19)			(1)	0	0
2	89221-KW3-000	WRENCH, HEX., 4MM			(1)	0	0
3	90011-Z0H-811	BOLT, SOCKET, 5X9			(1)	0	0
4	99005-01000	BAR A, HANDLE			(1)	0	0

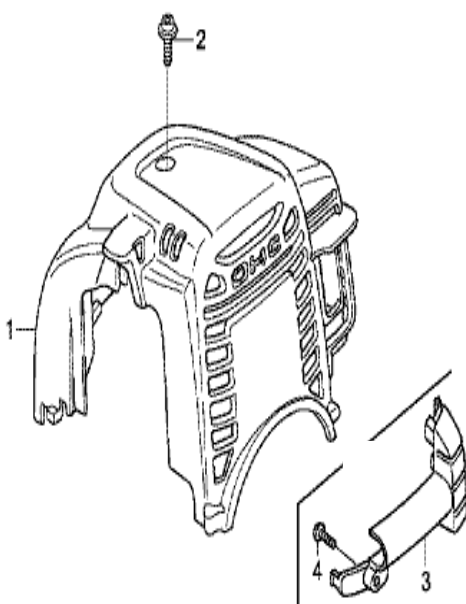
	GX35T
	E-16 MUFFLER



Refnr	Part Number	Description	from	to	Unit Qty.	Order Qty.	Repair Qty.
1	18310-Z0Z-802	MUFFLER COMP. (ARRESTER)			001	0	0
2	18350-Z0Z-801	ARRESTER COMP, SPARK			001	0	0
3	18354-Z0Z-800	FILTER, EXHAUST			001	0	0
4	18515-Z0Z-300	GUIDE, AIR			001	0	0
5	18518-Z0Z-020	GUIDE COMP., UNDER AIR			001	0	0
6	90001-Z0Z-013	BOLT, STUD, 5X56.5			002	0	0
7	90018-Z3E-901	BOLT, SOCKET, 5X16			002	0	0
8	90055-ZE1-000	SCREW, TAPPING, 4X6			003	0	0
9	90136-SM4-901	NUT, SELF-LOCK, 5MM			002	0	0
10	91506-ZM3-000	COLLAR A, HEAD COVER			002	0	0

GX35T

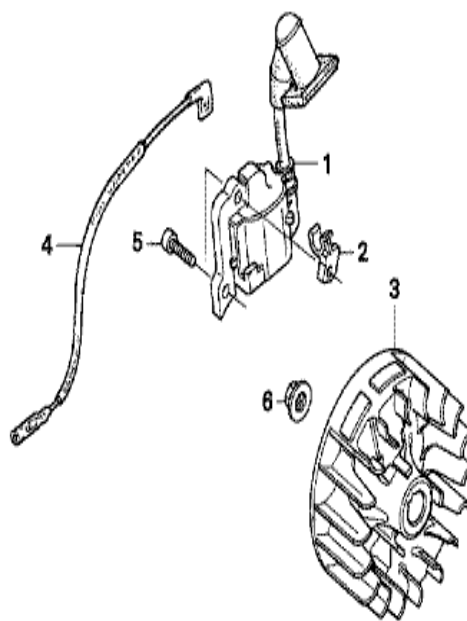
E-27 TOP COVER



Refnr	Part Number	Description	from	to	Unit Qty.	Order Qty.	Repair Qty.
1	19720-Z0Z-010ZA	COVER COMP., TOP *R280* (R280 POWER RED)		7388803	001	0	0
1	19720-Z0Z-020ZA	COVER COMP., TOP *R280* (R280 POWER RED)	7388804		001	0	0
2	90015-Z3E-900	BOLT, TOP COVER			001	0	0

GX35T

E-19 FLYWHEEL

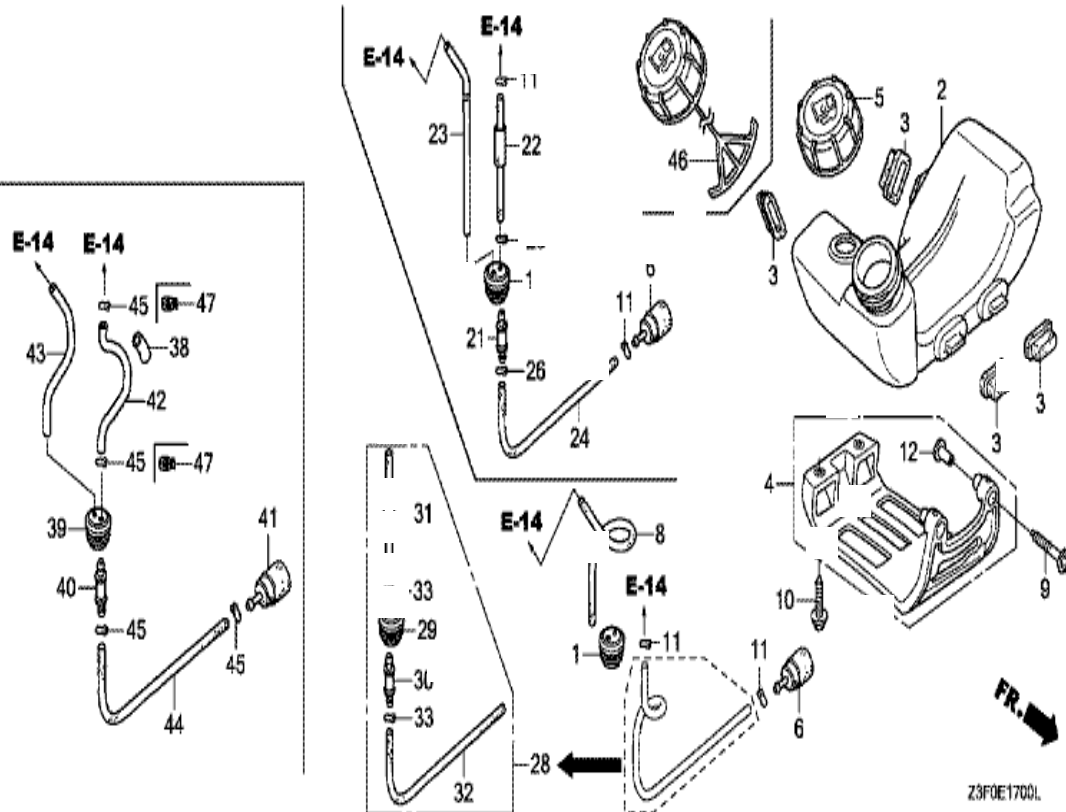


Z3F0-E1900

Refnr	Part Number	Description	from	to	Unit Qty.	Order Qty.	Repair Qty.
1	30500-Z3F-013	COIL ASSY., IGNITION			001	0	0
2	30522-Z3F-000	CLIP, HIGH TENSION CORD			001	0	0
3	31110-Z3F-003	FLYWHEEL COMP.			001	0	0
4	32195-Z0Z-000	CORD, STOP SWITCH			001	0	0
5	90012-Z3E-003	BOLT, SOCKET, 4X14			002	0	0
6	94050-08000	NUT, FLANGE, 8MM			001	0	0

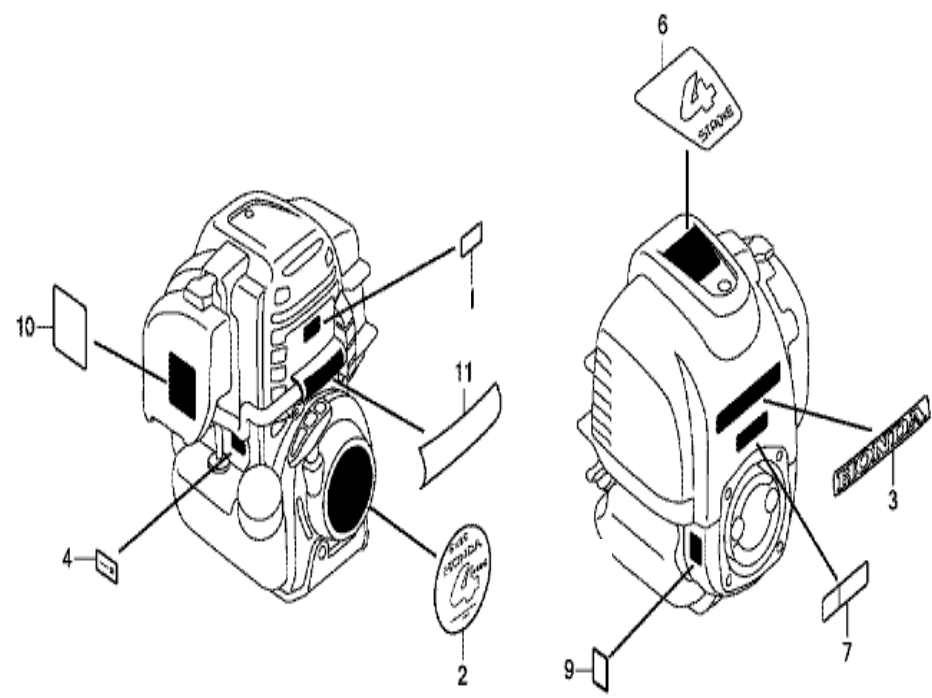
GX35T

E-17 FUEL TANK (1)



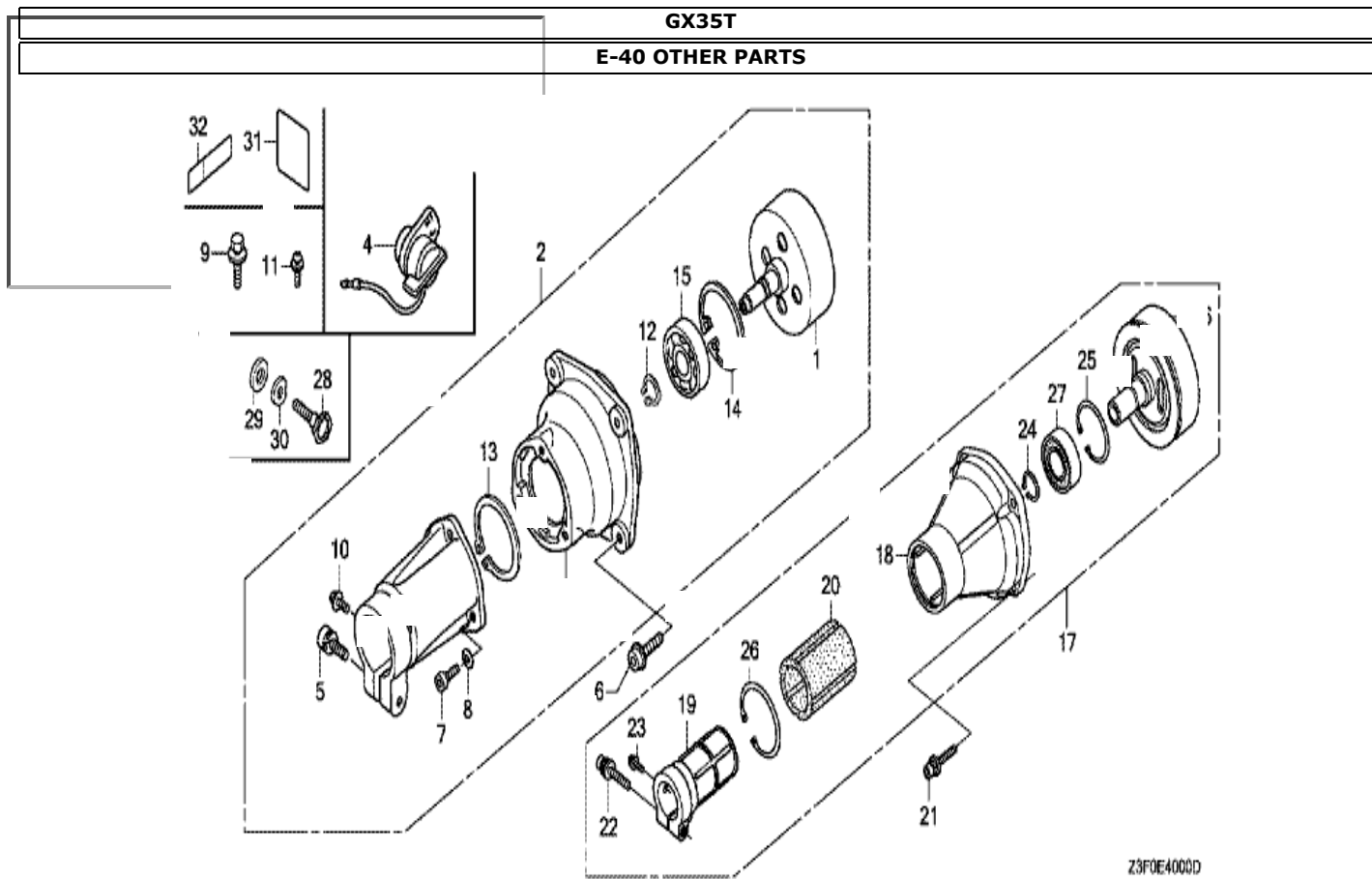
Refnr	Part Number	Description	from	to	Unit Qty.	Order Qty.	Repair Qty.
2	17511-Z6K-821	TANK, FUEL			001	0	0
3	17533-Z0H-000	RUBBER, TANK MOUNTING			004	0	0
38	16865-Z6J-010	PROTECTOR, TUBE			001	0	0
39	17504-ZM3-003	GROMMET, FUEL TUBE			001	0	0
40	17519-Z6J-003	JOINT, FUEL TANK			001	0	0
41	17672-Z0H-003	FILTER, FUEL			001	0	0
42	17701-Z6K-882	TUBE, FUEL (FKM)			001	0	0
43	17702-Z0H-003	TUBE, FUEL RETURN			001	0	0
44	17703-Z6K-801	TUBE A, FUEL			001	0	0
45	91401-Z3E-000	CLIP, TUBE (B1 5)			002	0	0
46	17620-ZM3-818	CAP ASSY., FUEL TANK			001	0	0
47	90601-Z6J-801	CLAMP, TUBE (D5.5)			002	0	0

GX35T
E-28 LABEL



Z3F0E2800D

Refnr	Part Number	Description	from	to	Unit Qty	Order Qty	Repair Qty
1	87114-ZH7-000	LABEL, WARNING (NOT CERTIFIED FOR SALE)			001	0	0
2	87521-Z3F-900	MARK, EMBLEM		7191282	001	0	0
2	87521-Z3F-901	MARK, EMBLEM	7191283		001	0	0
4	87601-Z4A-900	MARK, TYPE (S35)			001	0	0
6	87660-Z3F-900	MARK (4-STROKE)			001	0	0
10	87516-Z6J-000	MARK, OPERATOR CAUTION (ENGLISH)			001	0	0



Refnr	Part Number	Description	from	to	Unit Qty	Order Qty	Repair Qty
31	87516-Z6J-800	MARK, OPERATOR CAUTION (FRENCH)			001	0	0
31	87519-Z6J-000	MARK, OPERATOR CAUTION (PICTOGRAPH)		7191282	001	0	0
31	87519-Z6J-010	MARK, OPERATOR CAUTION (PICTOGRAPH)	7191283		001	0	0
32	87522-ZK6-800	LABEL, CAUTION (CHINA)			001	0	0